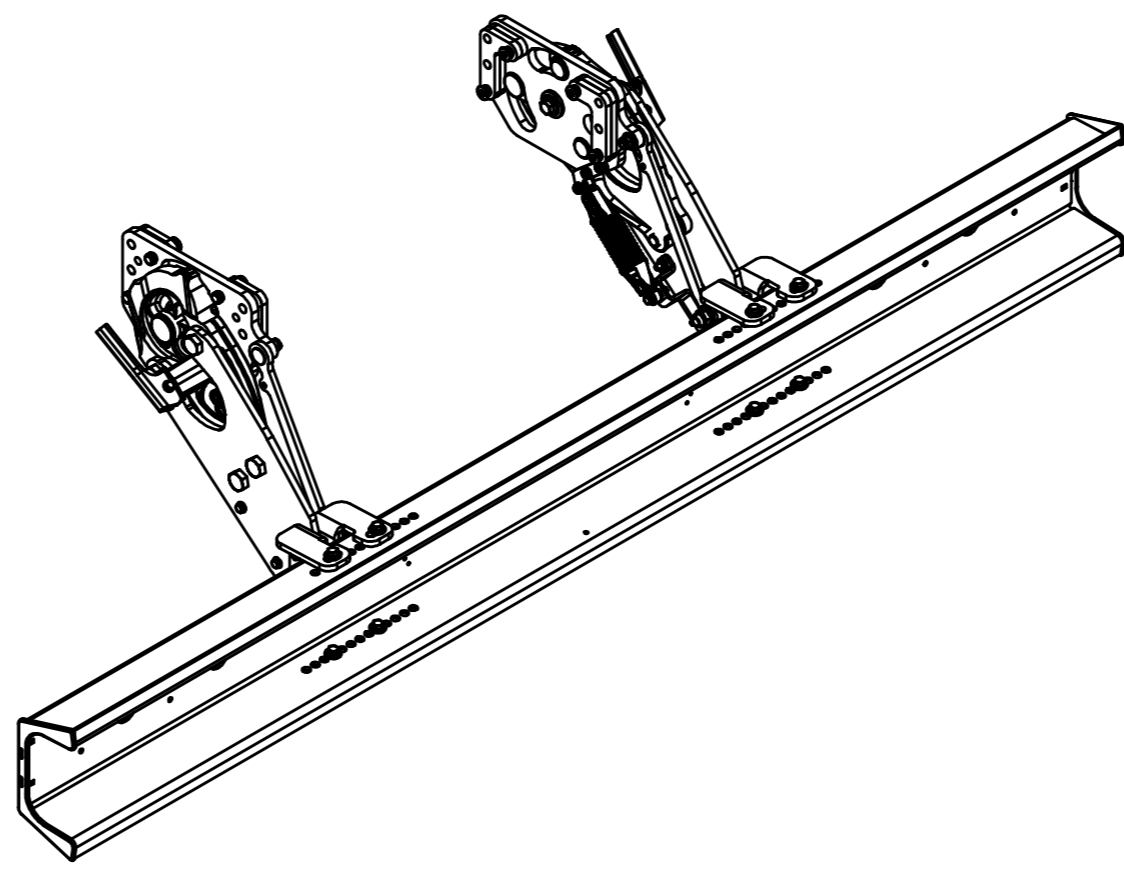


- 1 Dimensions for information only
- 2 For type approval information see protective beam
- 3 All products, product specifications & data are subject to change without notice.



		Modified Date	Modified by	Modification No.	Issue
		2019-05-09	RJ	13232	a
VBG GROUP		3D Model No.	Engineer		
		15990496	RJ		
Description	Sheet Size	Scale	Projection	Drafting Date	Drafted by
	RUF U 919 -40	A2	1 : 5	2019-04-10	RJ
Stage		Drawing No.			
P		15990511 (F) INFO			
<small>This drawing is the property of VBG Group AB and is protected in accordance with prevailing law. Changes must be made in CAD-program, this concerns both 2D & 3D.</small>					